

Optical Lenses

Hangzhou Shalom EO offers a variety of optical lenses: plano-concave, plano-convex, convex-concave, double convex, double concave, cylindrical lenses, rod lenses and ball lenses. Dimensions range from 0.8mm to 300mm. We are able to process the large volume productions, and also deal with the small quantity for your prototypes. A wide range of optical crystals and optical glass materials substrates are available.

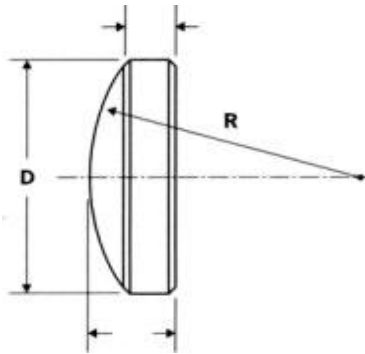


SPECIFICATIONS

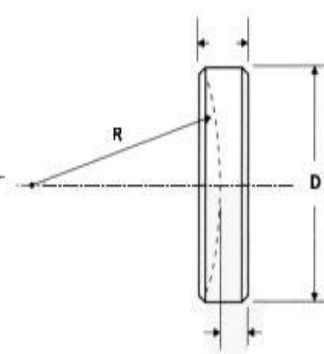
Specifications	
Materials	BK7, B270, FS, BaF2, CaF2, LiF, MgF2, Quartz, YAG, Ge, Si, Sapphire, ZnSe, ZnS and other customized materials;
Spherical configurations	Plano-concave, plano-convex, meniscus, double convex, double concave, cylindrical lenses, rod lenses and ball lenses
Dimension Tolerance	+/-0.1mm
Thickness Tolerance	+/-0.2mm
Surface quality (S/D)	60/40 or upon customer's request to 20/10
Centration	3 arc min or upon customer's request
Clear aperture	90%

Note: The custom specification are available upon customer's request.

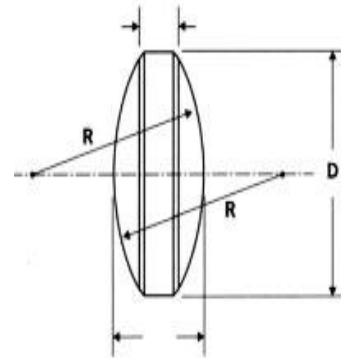
Plano-convex Lenses



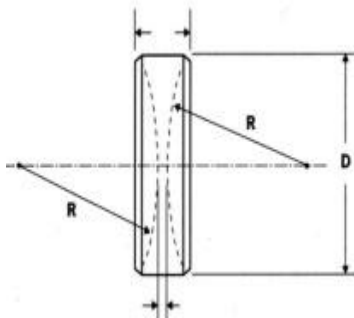
Plano-concave Lenses



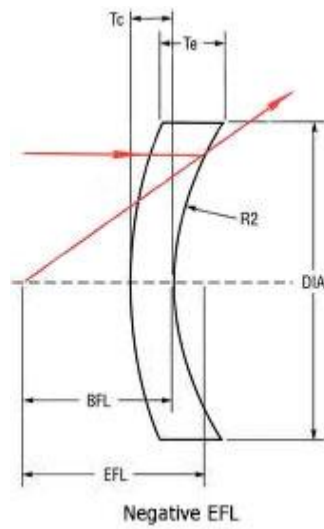
Bi-convex lenses



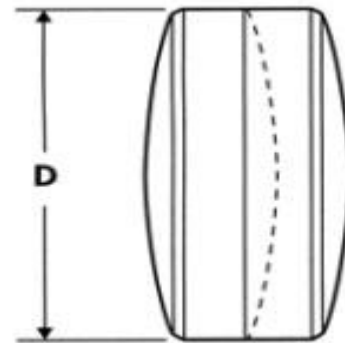
Bi-concave lenses



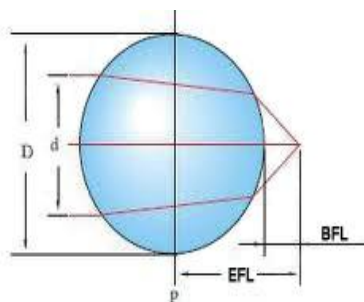
Meniscus Lenses



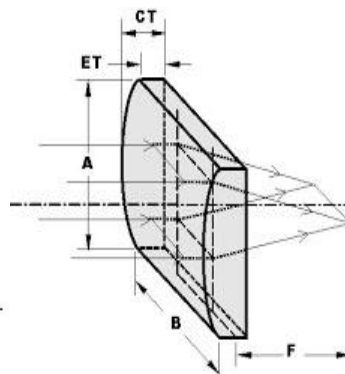
Achromatic doublet lenses



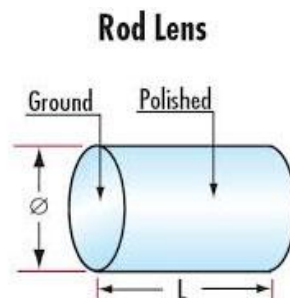
Ball Lenses

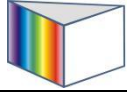


Cylindrical Lenses



Rod Lenses





Shalom EO
Crystals, optics and components

Hangzhou Shalom Electro-optics Technology Co., Ltd.
