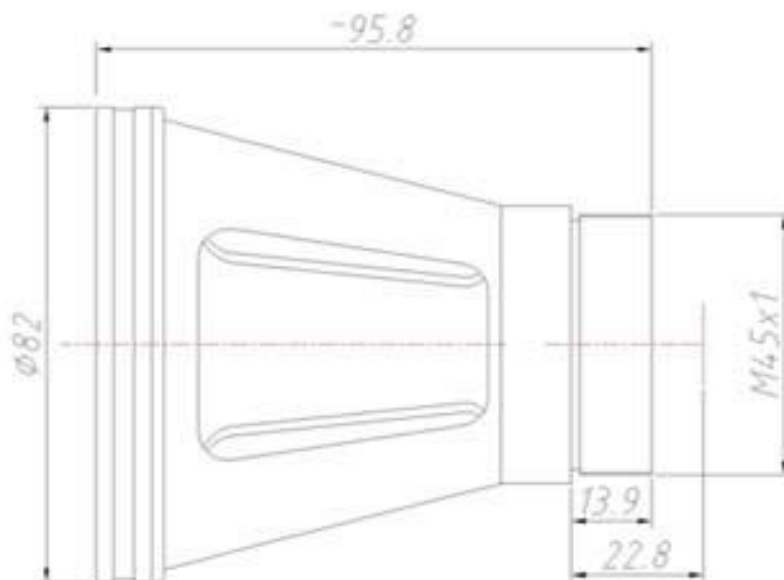


75mm/F1.0 Light Weight Lens for LWIR Thermal Cameras

It is a light weight design lens module, a special type of housing is used, with 75mm focal length and f number of 1.0 and compact in size.



SPECIFICATIONS

| Optical Parameters | |
|--------------------|------------|
| EFL | 75mm |
| f Number (f#) | 1.0 |
| Wavelength range | 8~12micro |
| Dimension | Dia82x95.8 |
| FOV | 8.3°x6.2° |
| Weight | 204g |